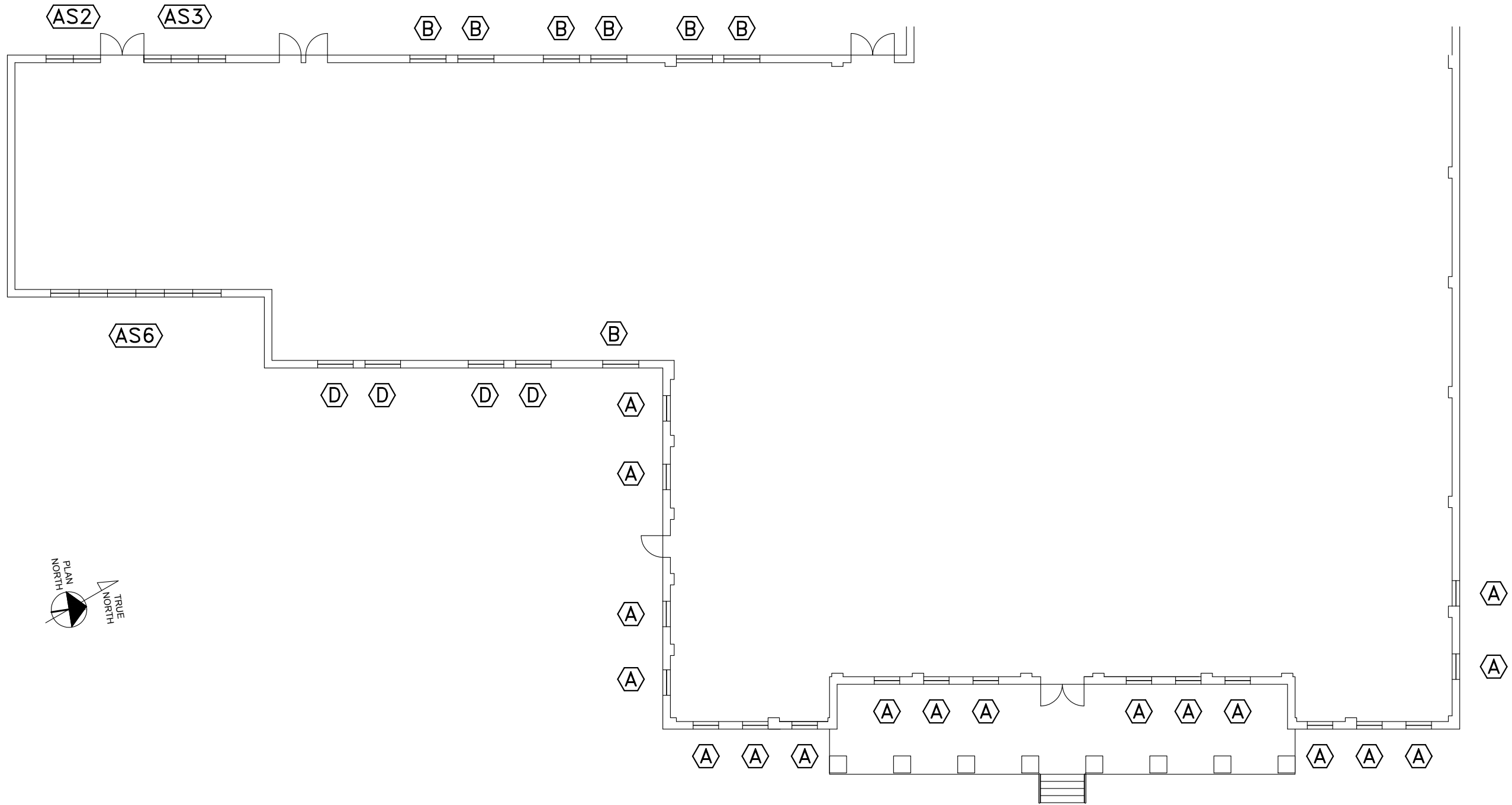


NO.	DATE	DESCRIPTION
1	01/02/19	First Submittal

SIX FLAGS GLASS
 108 E AIRLINE RD VICTORIA, TX 77901
 (W) 361-573-9612 (F) 361-573-2334

PROJECT: REFUGIO COUNTY MEMORIAL HOSPITAL
ORIGINAL WINDOW REPLACEMENT
 GENERAL CONTRACTOR: WEAVER & JACOBS CONSTRUCTORS, INC.
 (361) 277-9900

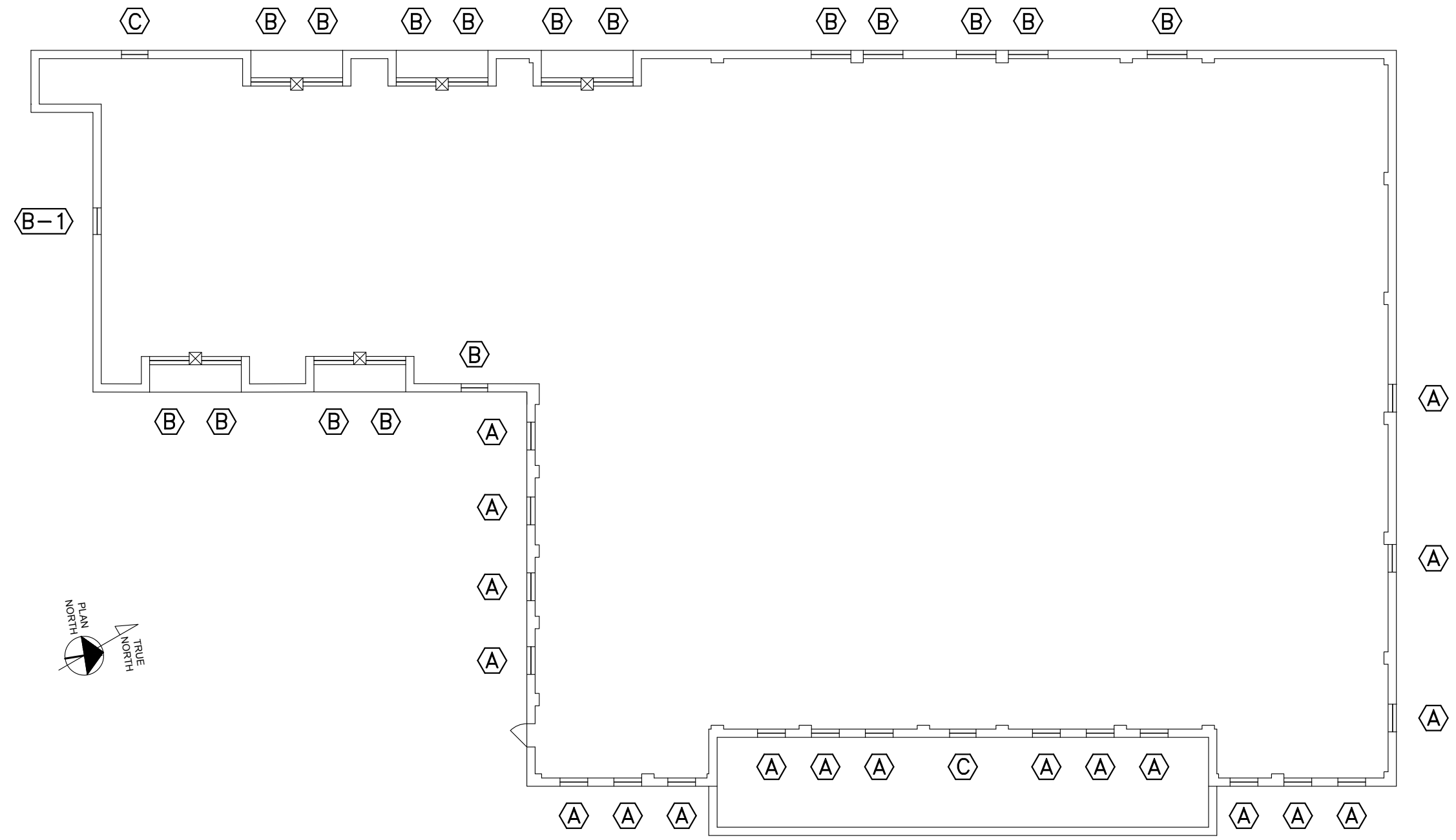
PROJECT NO.	SFG-1811-01
DRAWN BY	fp
DATE	01/02/19
SCALE	1/16" = 1'-0"
DRAWING	1st FLOOR
SHEET	P2



FLOOR PLAN

SCALE: 1/16" = 1'-0"
 ARCH. REF.: N/A
 QUANTITIES:
 TYPE A - 18
 TYPE B - 7
 TYPE B-1 - 0
 TYPE C - 0
 TYPE D - 4
 TYPE AS2 - 1
 TYPE AS3 - 1
 TYPE AS6 - 1

1 1st FLOOR PERIMETER
 ALUMINUM WINDOW SYSTEMS LAYOUT



FLOOR PLAN

SCALE: 1/16" = 1'-0"
 ARCH. REF.: N/A
 QUANTITIES:
 TYPE A - 19
 TYPE B - 16
 TYPE B-1 - 1
 TYPE C - 2
 TYPE D - 0
 TYPE AS2 - 0
 TYPE AS3 - 0
 TYPE AS6 - 0

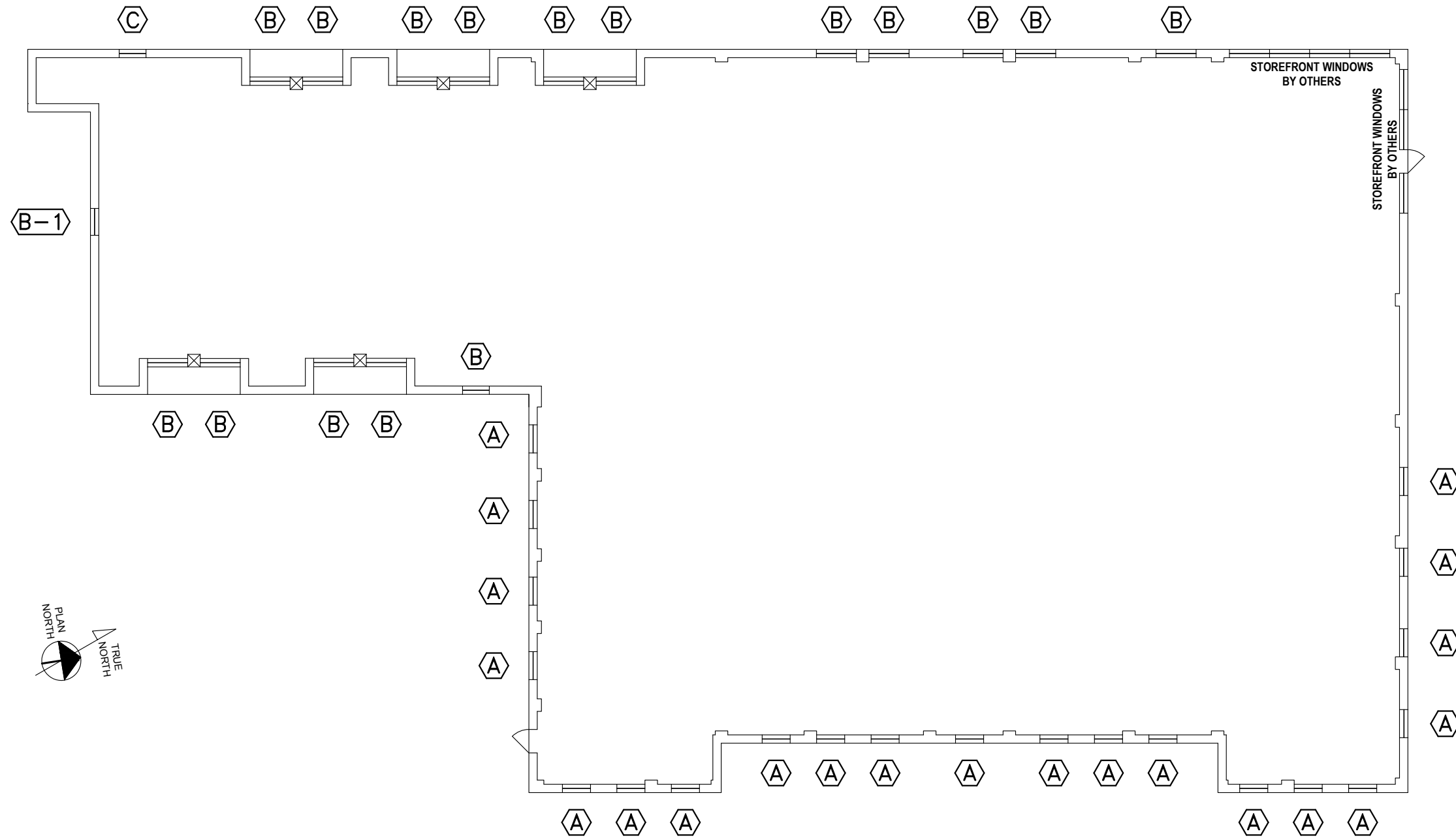
2 2nd FLOOR PERIMETER
 ALUMINUM WINDOW SYSTEMS LAYOUT

NO.	DATE	DESCRIPTION
1	01/02/19	First Submittal

SIX FLAGS GLASS
 108 E AIRLINE RD VICTORIA, TX 77901
 (W) 361-573-9612 (F) 361-573-2334

PROJECT: REFUGIO COUNTY MEMORIAL HOSPITAL
ORIGINAL WINDOW REPLACEMENT
 GENERAL CONTRACTOR: WEAVER & JACOBS CONSTRUCTORS, INC.
 (361) 277-9900

PROJECT NO.	SFG-1811-01
DRAWN BY	fp
DATE	01/02/19
SCALE	1/16" = 1'-0"
DRAWING	2nd FLOOR
SHEET	P3



FLOOR PLAN

SCALE: 1/16" = 1'-0"
 ARCH. REF.: N/A

- QUANTITIES:
- TYPE A - 21
 - TYPE B - 16
 - TYPE B-1 - 1
 - TYPE C - 2
 - TYPE D - 0
 - TYPE AS2 - 0
 - TYPE AS3 - 0
 - TYPE AS6 - 0

3

**3rd FLOOR PERIMETER
 ALUMINUM WINDOW SYSTEMS LAYOUT**

SUB	BY	DATE	DESCRIPTION
1	fp	01/02/19	First Submittal

SIX FLAGS GLASS
 108 E AIRLINE RD VICTORIA, TX 77901
 (W) 361-573-9612 (F) 361-573-2334

PROJECT: REFUGIO COUNTY MEMORIAL HOSPITAL
ORIGINAL WINDOW REPLACEMENT
 GENERAL CONTRACTOR: WEAVER & JACOBS CONSTRUCTORS, INC.
 (361) 277-9900

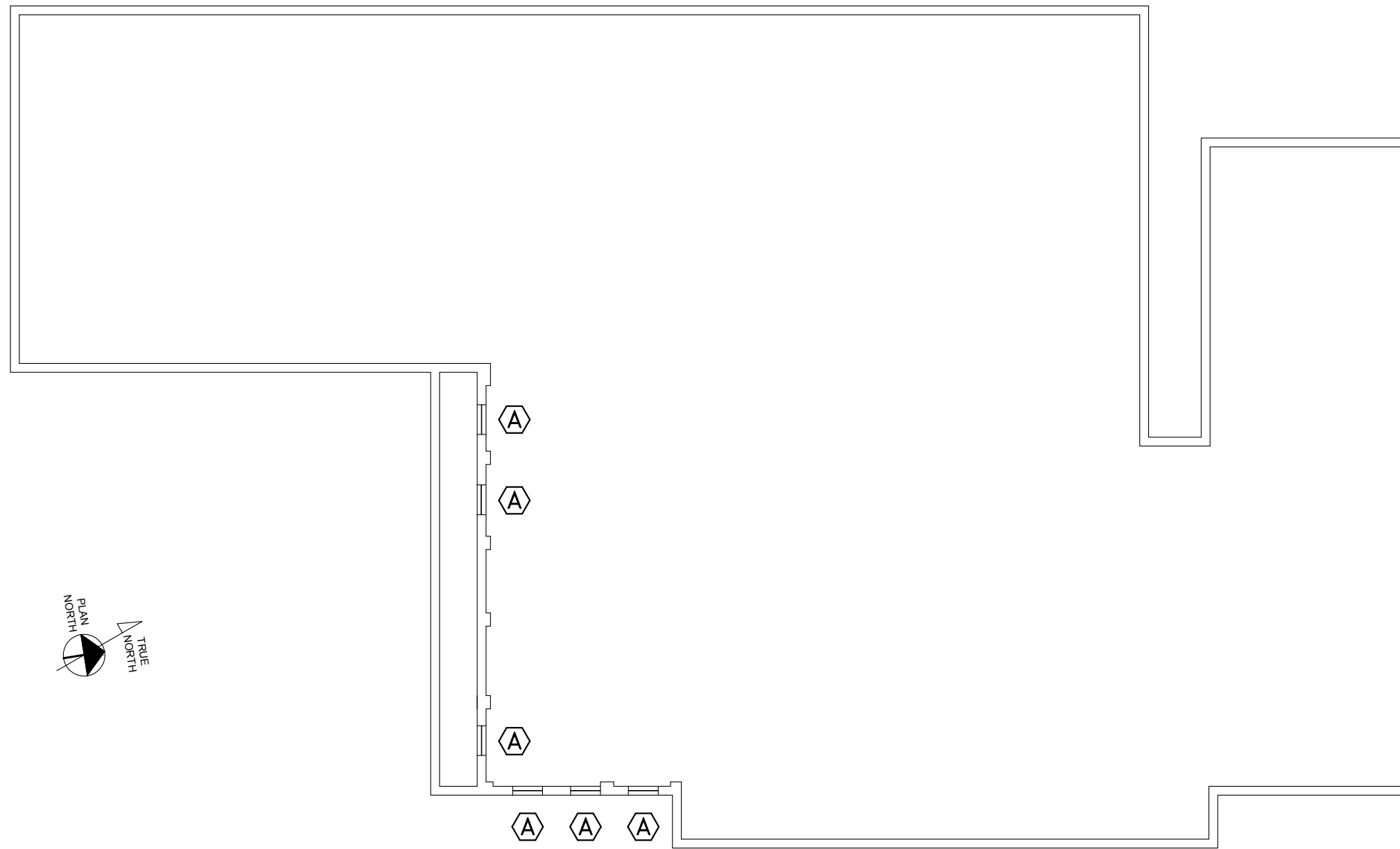
PROJECT NO. SFG-1811-01

DRAWN BY: fp DATE: 01/02/19

SCALE: 1/16" = 1'-0"

DRAWING: 3rd FLOOR

SHEET: P4



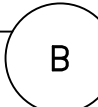
FLOOR PLAN

SCALE: 1/16" = 1'-0"

ARCH. REF.: N/A

QUANTITIES:

- TYPE A - 6
- TYPE B - 0
- TYPE B-1 - 0
- TYPE C - 0
- TYPE D - 0
- TYPE AS2 - 0
- TYPE AS3 - 0
- TYPE AS6 - 0



BASEMENT PERIMETER

ALUMINUM WINDOW SYSTEMS LAYOUT

NO.	DATE	DESCRIPTION
1	01/02/19	First Submittal

SIX FLAGS GLASS
 108 E AIRLINE RD VICTORIA, TX 77901
 (W) 361-573-9612 (F) 361-573-2334

PROJECT
 REFUGIO COUNTY MEMORIAL HOSPITAL
ORIGINAL WINDOW REPLACEMENT
 GENERAL CONTRACTOR
 WEAVER & JACOBS CONSTRUCTORS, INC.
 (361) 277-9900

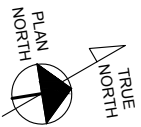
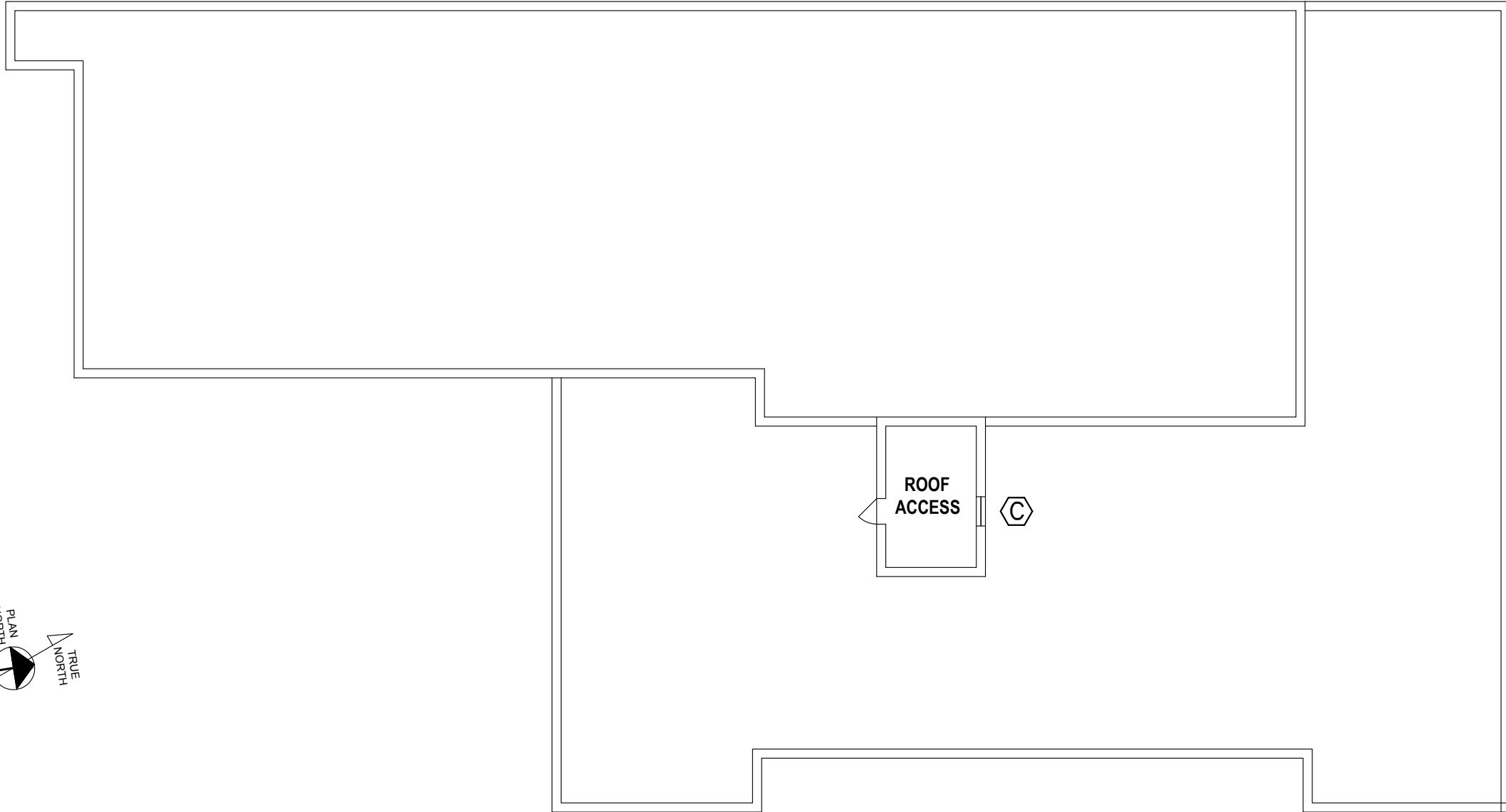
PROJECT NO.
SFG-1811-01

DRAWN BY DATE
 fp 01/02/19

SCALE
 1/16" = 1'-0"

DRAWING
BASEMENT

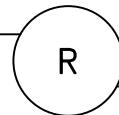
SHEET
P1



FLOOR PLAN

SCALE: 1/16" = 1'-0"
 ARCH. REF.: N/A
 QUANTITIES:

- TYPE A - 0
- TYPE B - 0
- TYPE B-1 - 0
- TYPE C - 1
- TYPE D - 0
- TYPE AS2 - 0
- TYPE AS3 - 0
- TYPE AS6 - 0



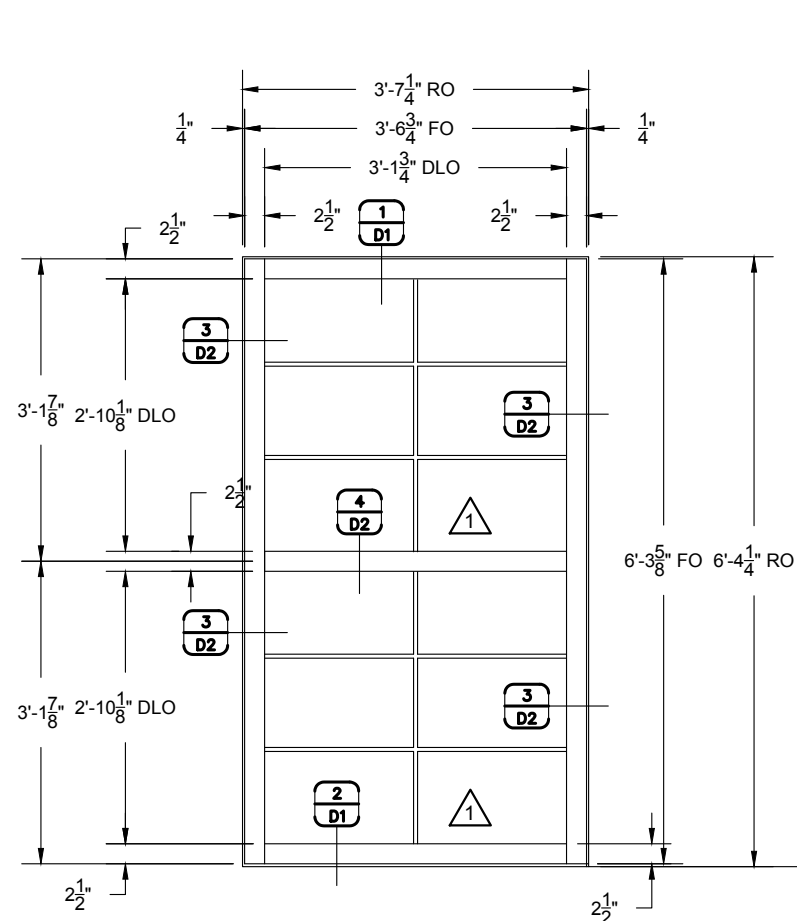
ROOF PERIMETER
 ALUMINUM WINDOW SYSTEMS LAYOUT

NO.	DATE	DESCRIPTION
1	01/02/19	First Submittal

SIX FLAGS GLASS
 108 E AIRLINE RD VICTORIA, TX 77901
 (W) 361-573-9612 (F) 361-573-2334

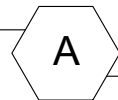
PROJECT
**REFUGIO COUNTY MEMORIAL HOSPITAL
 ORIGINAL WINDOW REPLACEMENT**
 GENERAL CONTRACTOR
WEAVER & JACOBS CONSTRUCTORS, INC.
 (361) 277-9500

PROJECT NO.	SFG-1811-01
DRAWN BY	fp
DATE	01/02/19
SCALE	1/16" = 1'-0"
DRAWING	ROOF
SHEET	P5

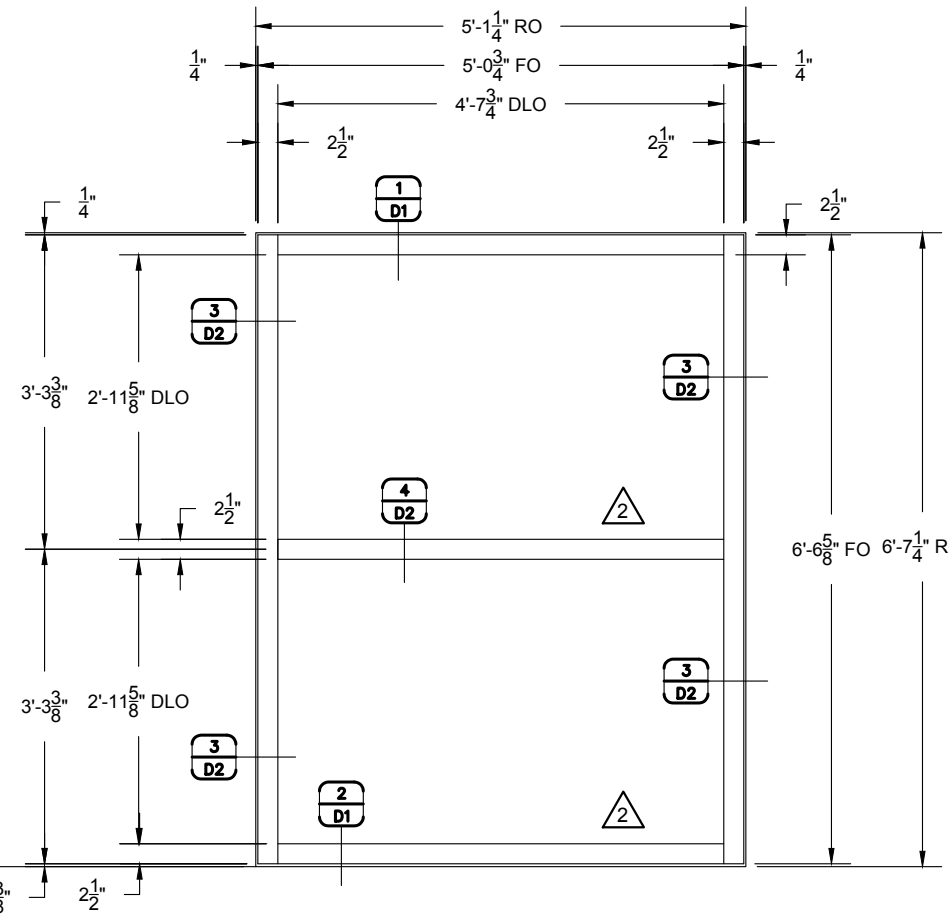


ELEVATION

QUANTITY: 64
 SCALE: 1/2"=1'-0"

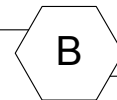


SYSTEM: OLDCASTLE STORMAX FG5100
 STORM IMPACT DRY GLAZE

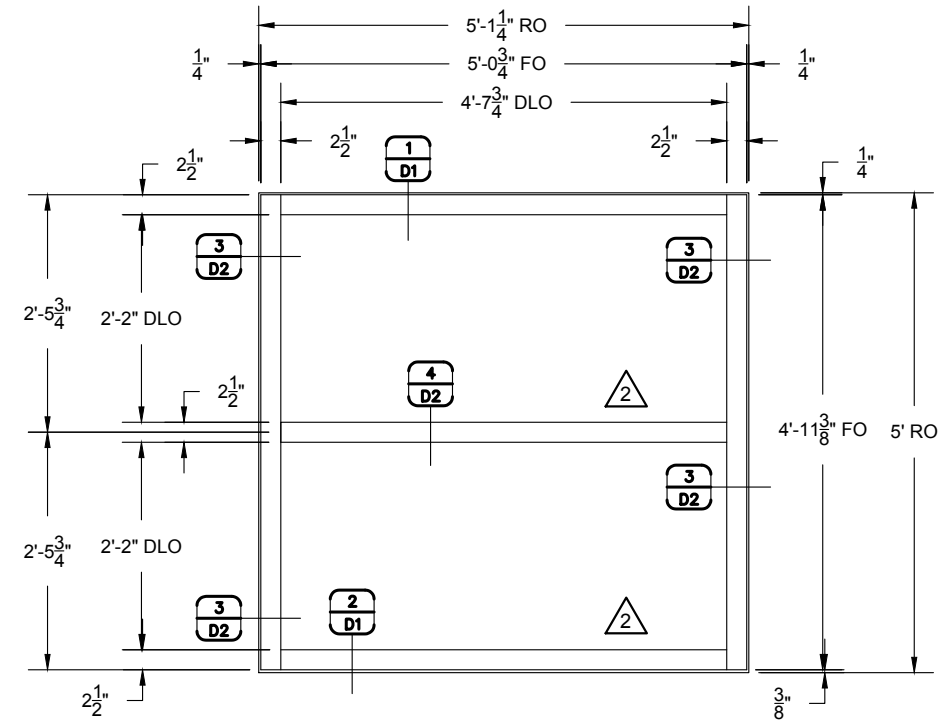


ELEVATION

QUANTITY: 39
 SCALE: 1/2"=1'-0"

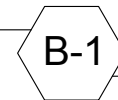


SYSTEM: OLDCASTLE STORMAX FG5100
 STORM IMPACT DRY GLAZE

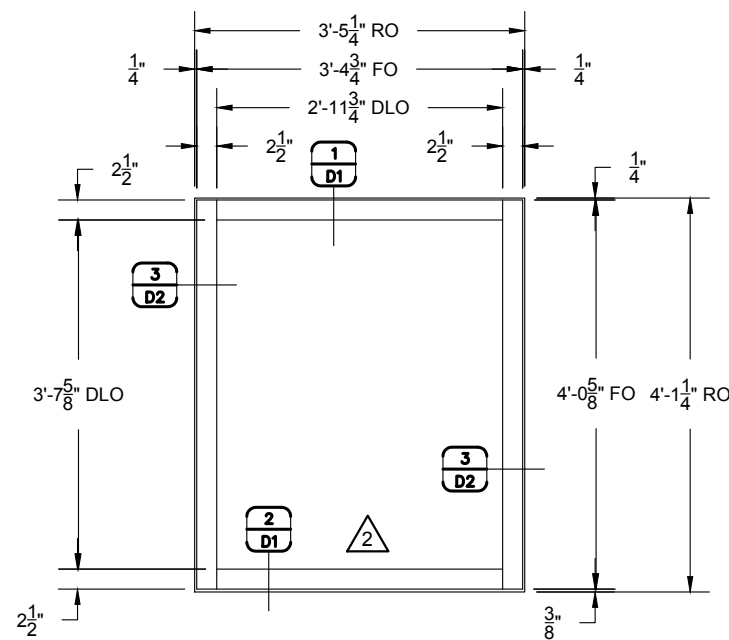


ELEVATION

QUANTITY: 2
 SCALE: 1/2"=1'-0"

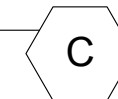


SYSTEM: OLDCASTLE STORMAX FG5100
 STORM IMPACT DRY GLAZE

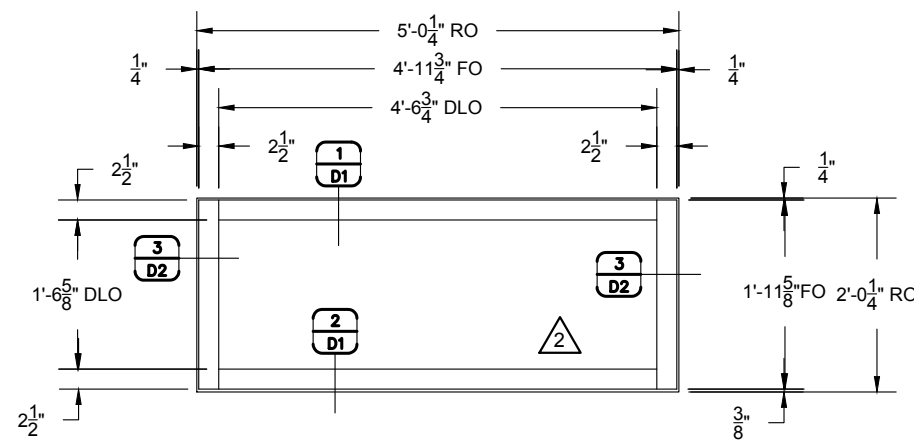


ELEVATION

QUANTITY: 4
 SCALE: 1/2"=1'-0"

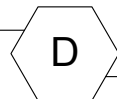


SYSTEM: OLDCASTLE STORMAX FG5100
 STORM IMPACT DRY GLAZE



ELEVATION

QUANTITY: 4
 SCALE: 1/2"=1'-0"



SYSTEM: OLDCASTLE STORMAX FG5100
 STORM IMPACT DRY GLAZE

ANCHORING REQUIREMENTS:

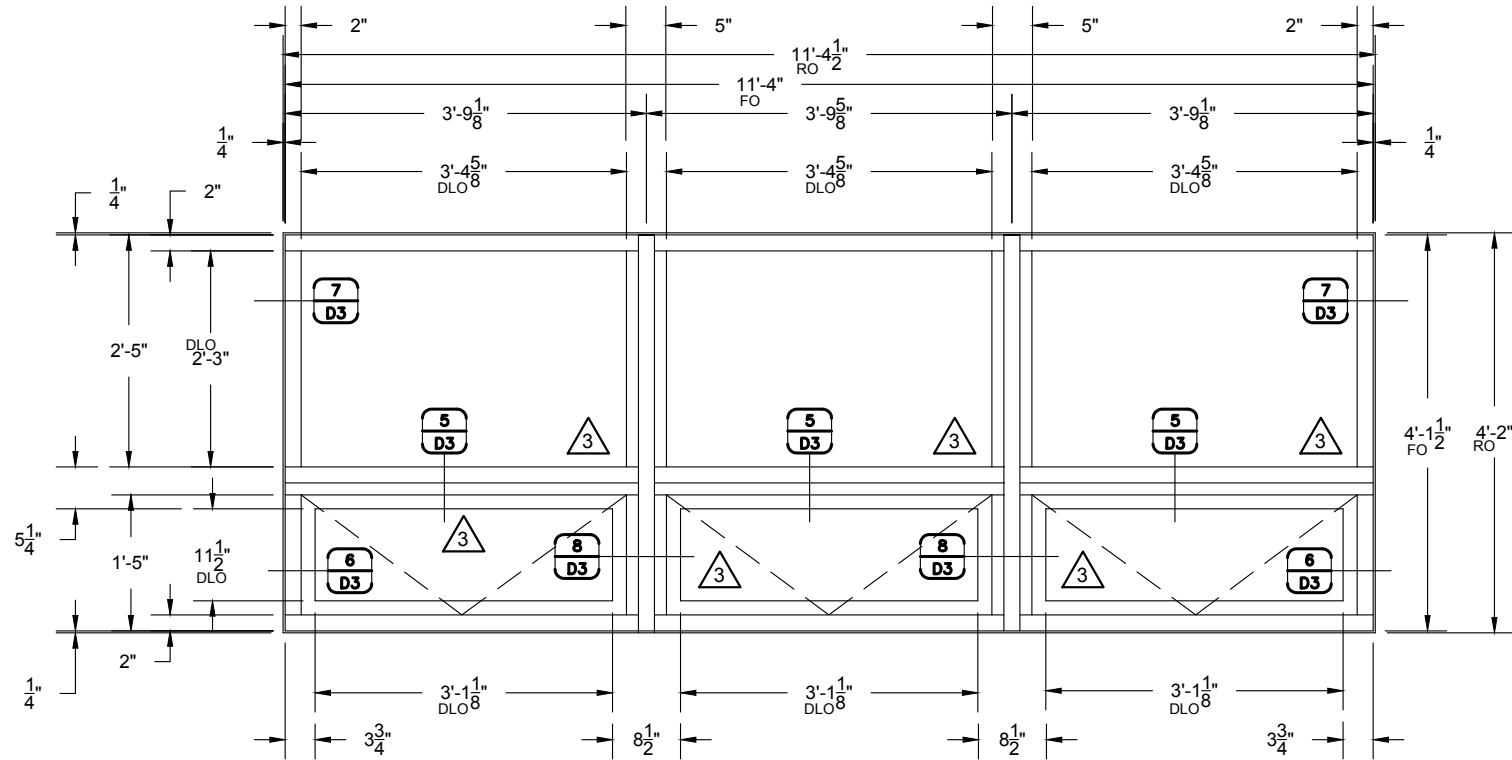
THE ANCHORING REQUIREMENTS FOR THE OLDCASTLE STORMAX FG5100 STORM IMPACT WINDOWS ARE SPECIFIED ON ELEVATION SHEET E2 AND IN THE REFERENCE SHEETS R1, R2, AND R3. PLEASE REFER TO THEM FOR THE ANCHORING CRITERIA FOR CONSTRUCTION.

NO.	DATE	DESCRIPTION
1	01/02/19	First Submittal

SIX FLAGS GLASS
 108 E AIRLINE RD VICTORIA, TX 77901
 (W) 361-573-9612 (F) 361-573-2334

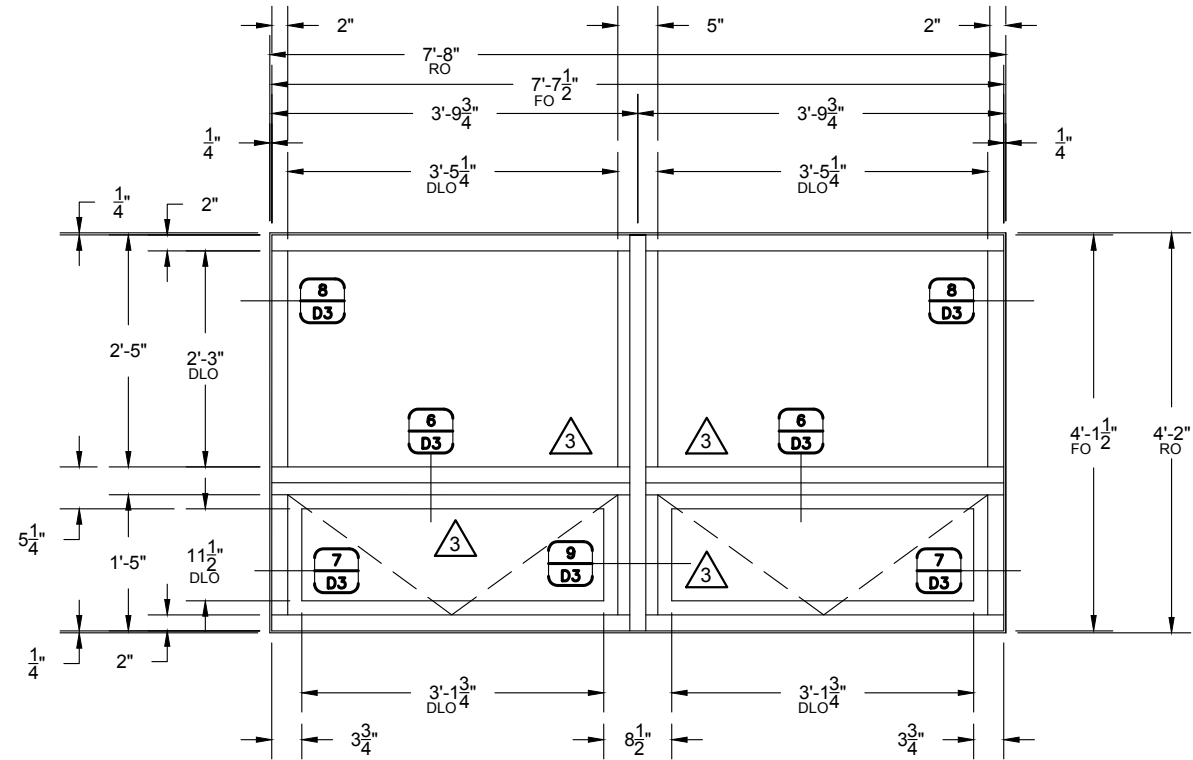
PROJECT: REFUGIO COUNTY MEMORIAL HOSPITAL
ORIGINAL WINDOW REPLACEMENT
 GENERAL CONTRACTOR: WEAVER & JACOBS CONSTRUCTORS, INC.
 (361) 277-9900

PROJECT NO.	SFG-1811-01
DRAWN BY	fp
DATE	01/02/19
SCALE	1/2" = 1'-0"
DRAWING	OLDCASTLE ELEVATIONS
SHEET	E1



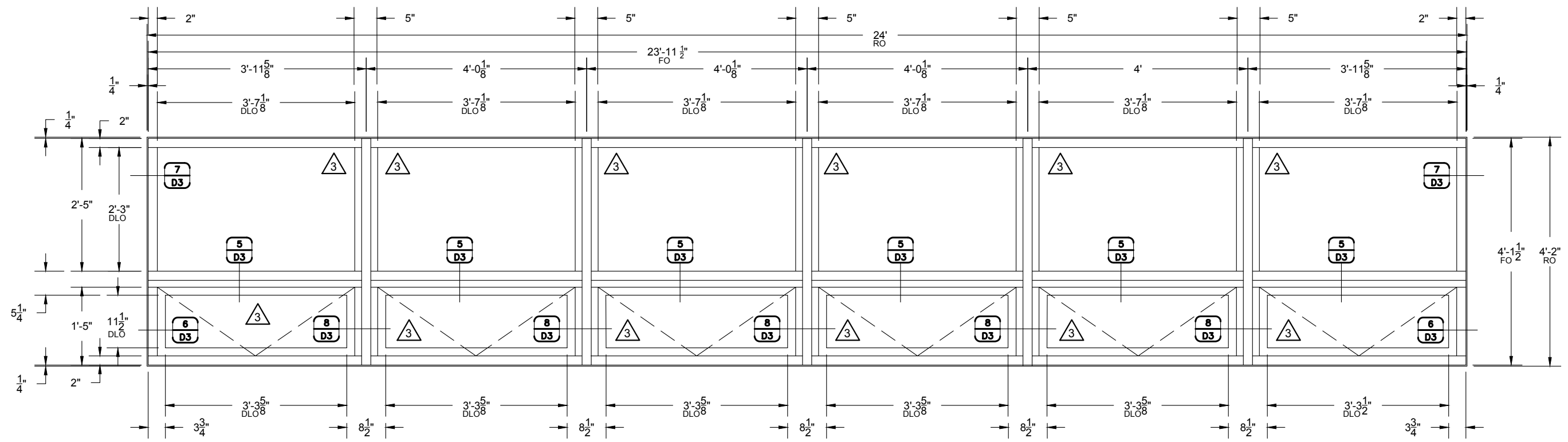
ELEVATION AS3
 QUANTITY: 1
 SCALE: 1/2"=1'-0"

SYSTEM: ALL SEASONS #5062 WINDOWS
 NON-IMPACT, PROJECT-IN TYPE



ELEVATION AS2
 QUANTITY: 1
 SCALE: 1/2"=1'-0"

SYSTEM: ALL SEASONS #5062 WINDOWS
 NON-IMPACT, PROJECT-IN TYPE



ELEVATION AS6
 QUANTITY: 1
 SCALE: 1/2"=1'-0"

SYSTEM: ALL SEASONS #5062 WINDOWS
 NON-IMPACT, PROJECT-IN TYPE

ANCHORING REQUIREMENTS:
 THE ALL SEASON WINDOWS ARE NON-IMPACT, AND ANCHORING SHALL BE DETERMINED IN THE FIELD DURING CONSTRUCTION.

NO.	DATE	DESCRIPTION
1	01/02/19	First Submittal

SIX FLAGS GLASS
 108 E AIRLINE RD VICTORIA, TX 77901
 (W) 361-573-9612 (F) 361-573-2334

PROJECT: REFUGIO COUNTY MEMORIAL HOSPITAL
ORIGINAL WINDOW REPLACEMENT
 GENERAL CONTRACTOR: WEAVER & JACOBS CONSTRUCTORS, INC.
 (361) 277-9500

PROJECT NO.	SFG-1811-01
DRAWN BY	fp
DATE	01/02/19
SCALE	1/2" = 1'-0"
DRAWING	ALL SEASONS
SHEET	E2

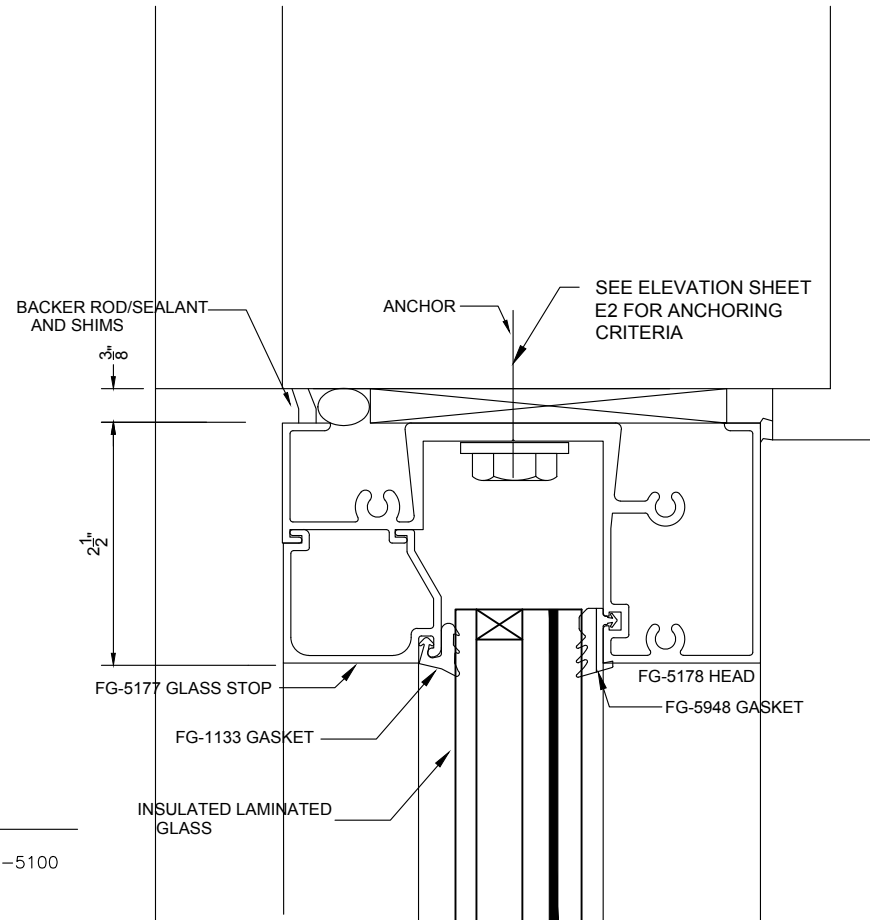
DETAIL

SCALE: 6" = 1'-0"
 ARCH. REF.: N/A

1

DETAIL TYPE: HEAD

SYSTEM TYPE:
 OLD CASTLE BUILDING ENVELOPE, FG-5100



StormMax™ FG-5100 - Dry Glazed Head - H7801

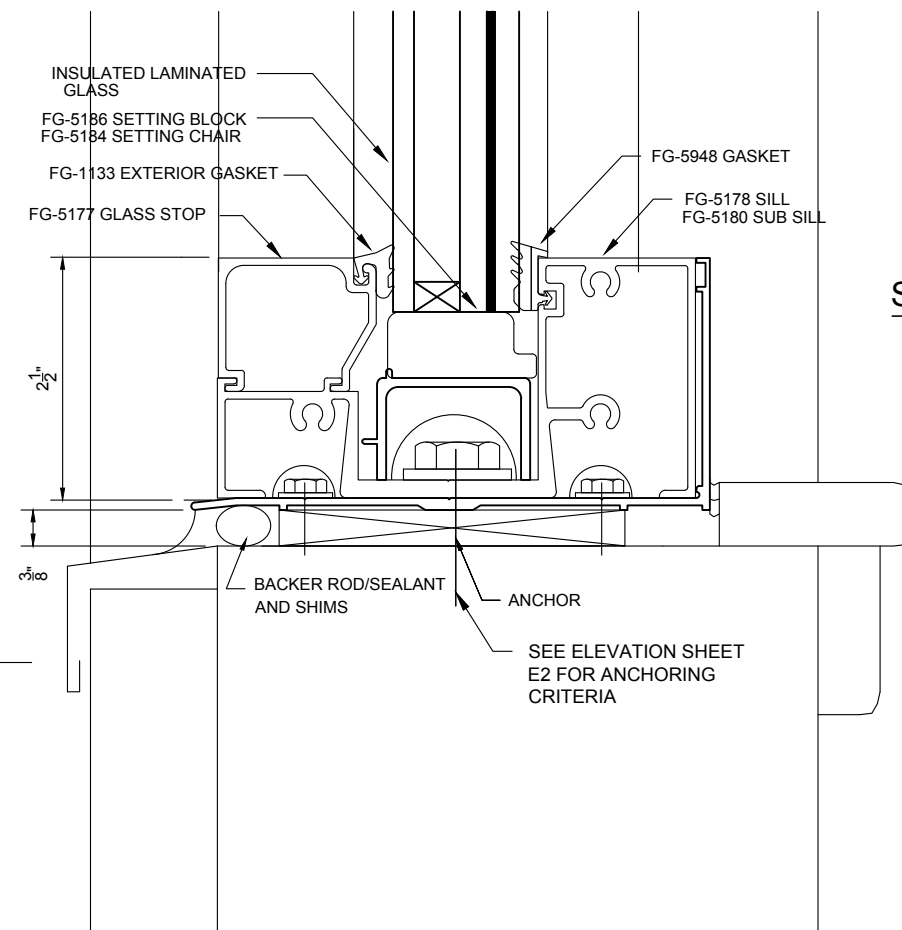
DETAIL

SCALE: 6" = 1'-0"
 ARCH. REF.: N/A

2

DETAIL TYPE: SILL

SYSTEM TYPE:
 OLD CASTLE BUILDING ENVELOPE, FG-5100



StormMax™ FG-5100 - Dry Glazed Sill - H7803

NO.	DATE	BY	DESCRIPTION
1	01/02/19	fp	First Submittal

SIX FLAGS GLASS
 108 E AIRLINE RD VICTORIA, TX 77901
 (W) 361-573-9612 (F) 361-573-2334

PROJECT
 REFUGIO COUNTY MEMORIAL HOSPITAL
ORIGINAL WINDOW REPLACEMENT
 GENERAL CONTRACTOR
 WEAVER & JACOBS CONSTRUCTORS, INC.
 (361) 277-9900

PROJECT NO.	SFG-1811-01
DRAWN BY	fp
DATE	01/02/19
SCALE	6" = 1'-0"
DRAWING	DETAILS
SHEET	D1

